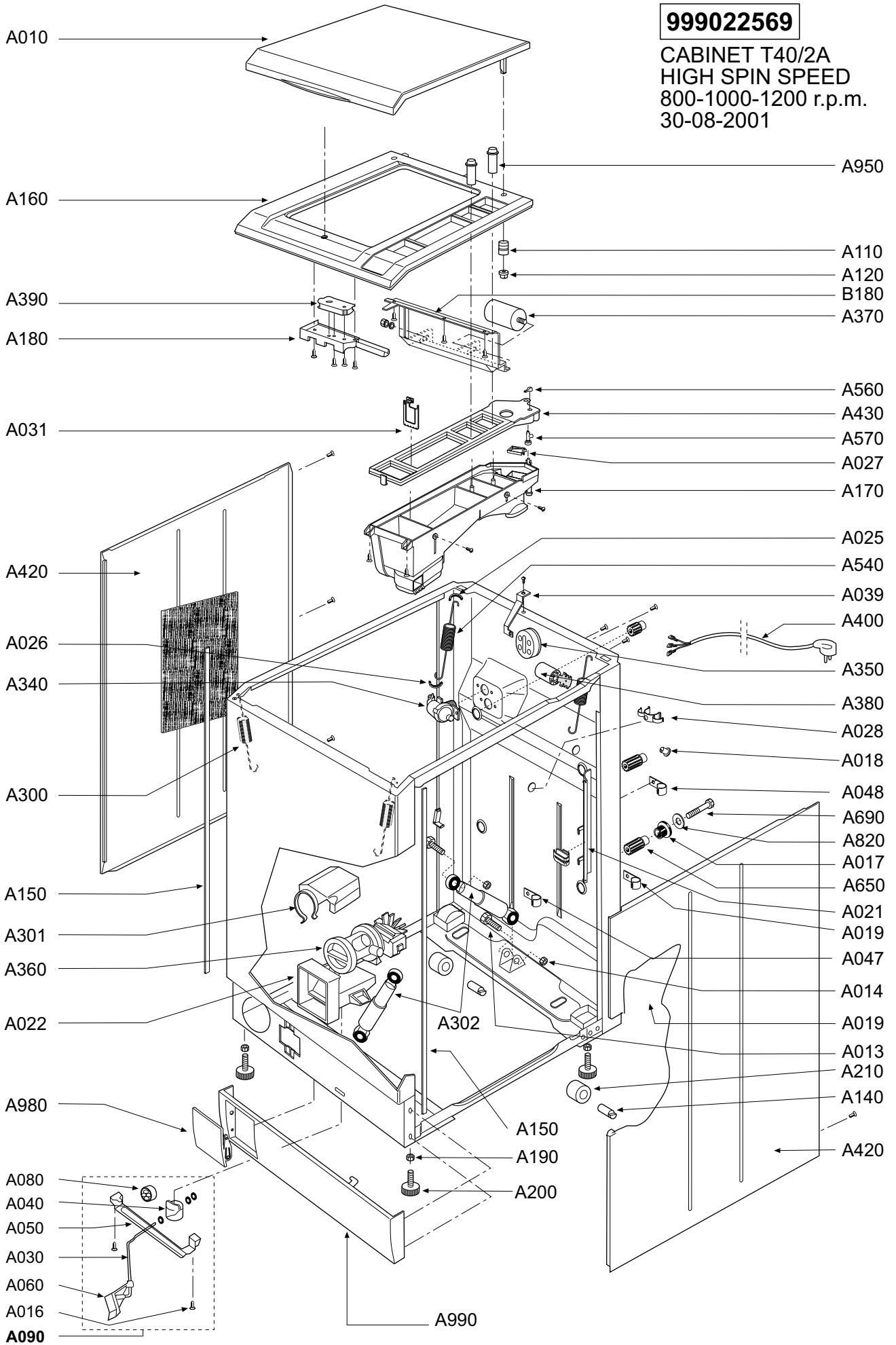


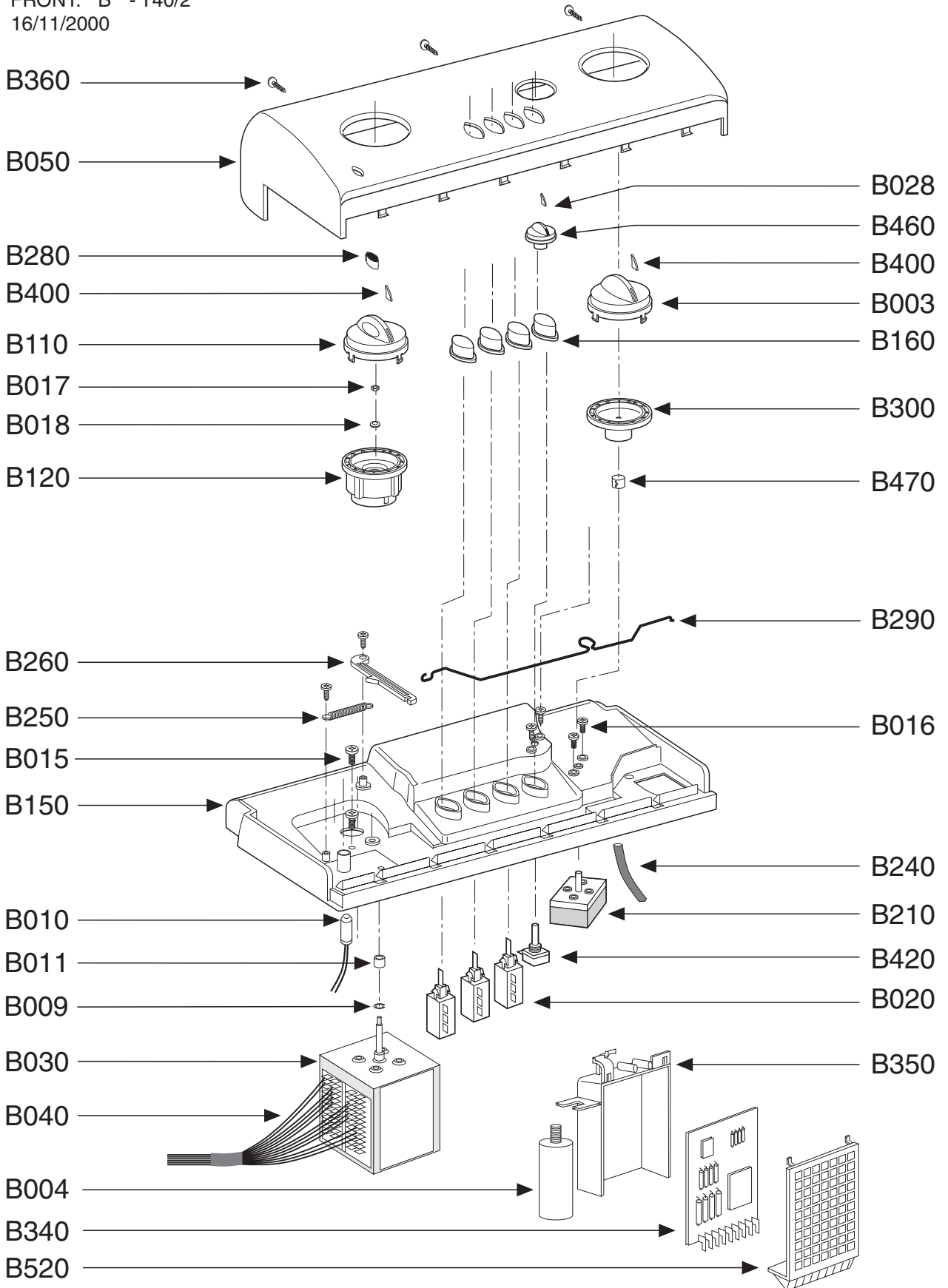
999022569

CABINET T40/2A
HIGH SPIN SPEED
800-1000-1200 r.p.m.
30-08-2001



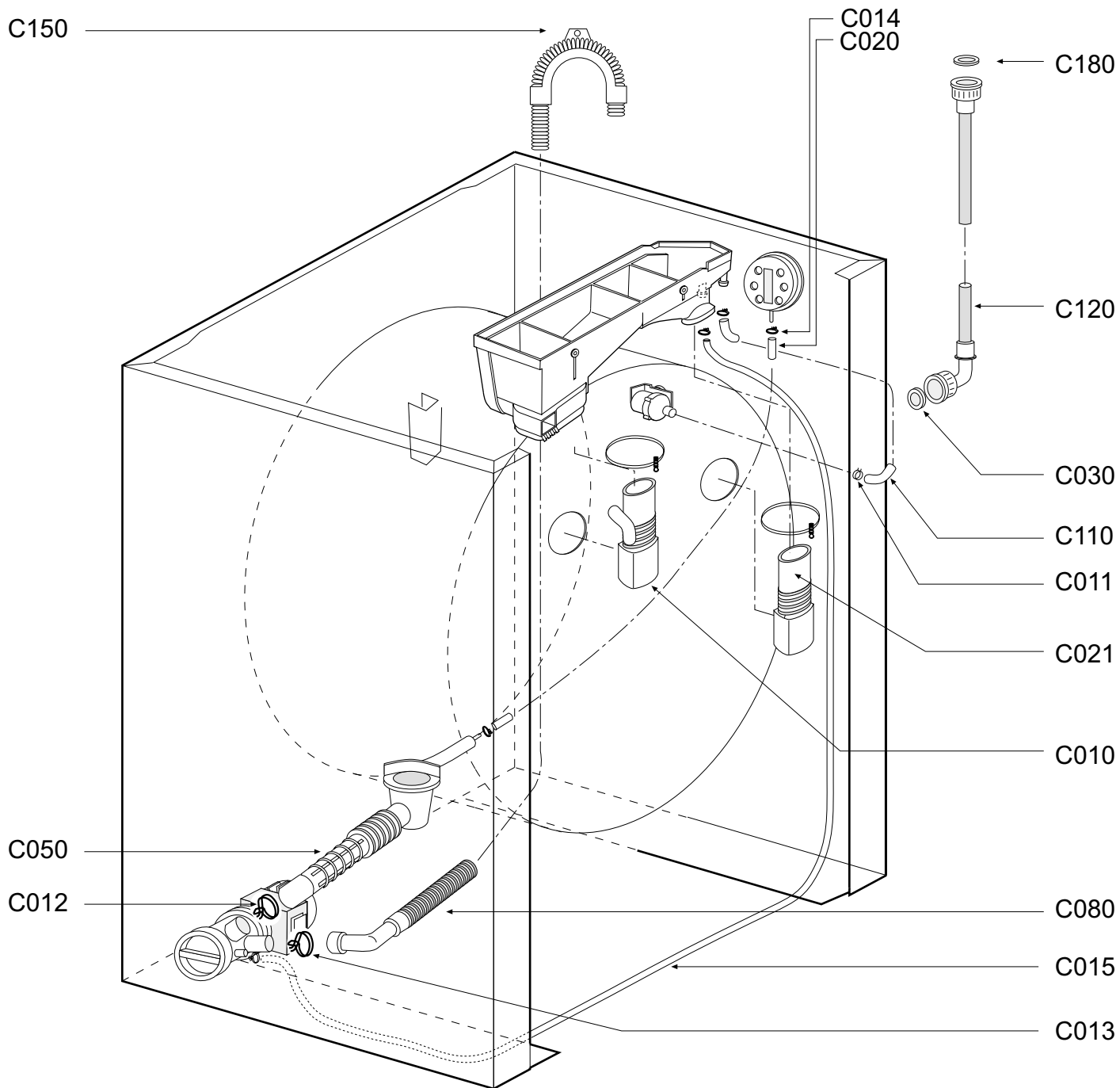
999016325

FRONT. " B " - T40/2
16/11/2000



999022573

LBCA T40/2A - AF - PRECAR.
30/08/01



999022570 16/11/2000

ENAMELLED TUB T40G-2A WITH DOOR GASKET

